

Product Features

- Lever handle with ceramic cartridge
- Single hole installation
- Stainless steel
- Swivel bidet aerator
- 2.2 gpm
- Includes pop-up drain

Code Compliance

This unit meets or exceeds the following:

- ASME A112.18.1
- CSA B125.1
- Listed by IAPMO
- ADA compliant
- Approved for use in Massachusetts

Available Finishes

Steel

35202801

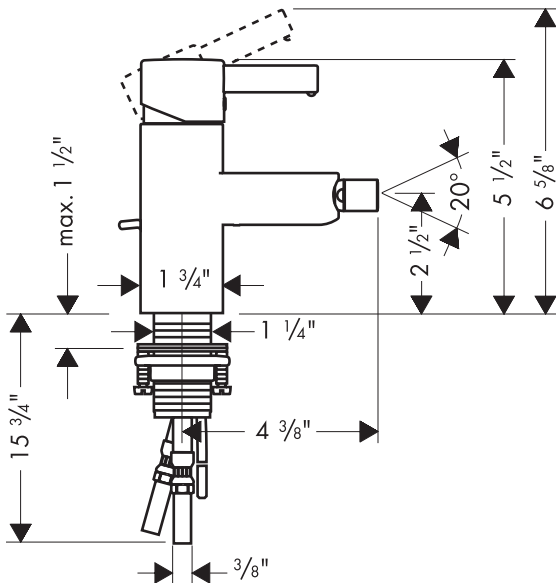
Optional Accessories

6" baseplate

14018801

Installation Notes

- 3/8" Supply hoses – requires 3/8" compression fittings



The measurements shown are for reference only.

Products and specifications shown are subject to change without notice.

Specification sheet revised 2/2008